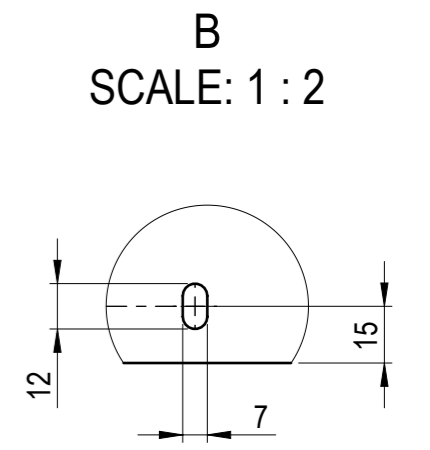
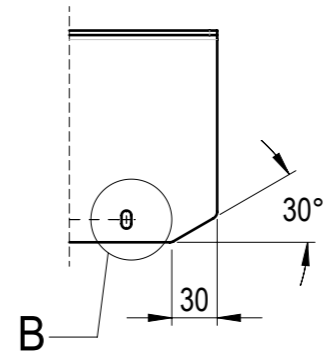
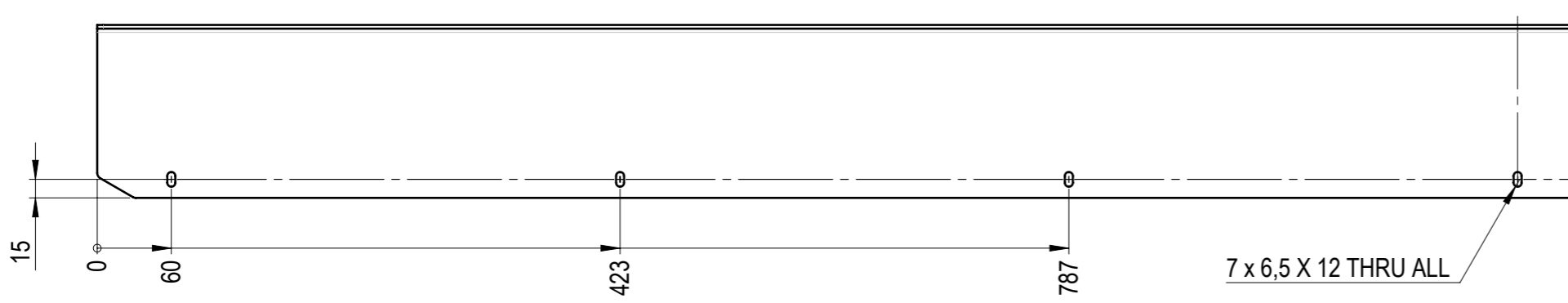
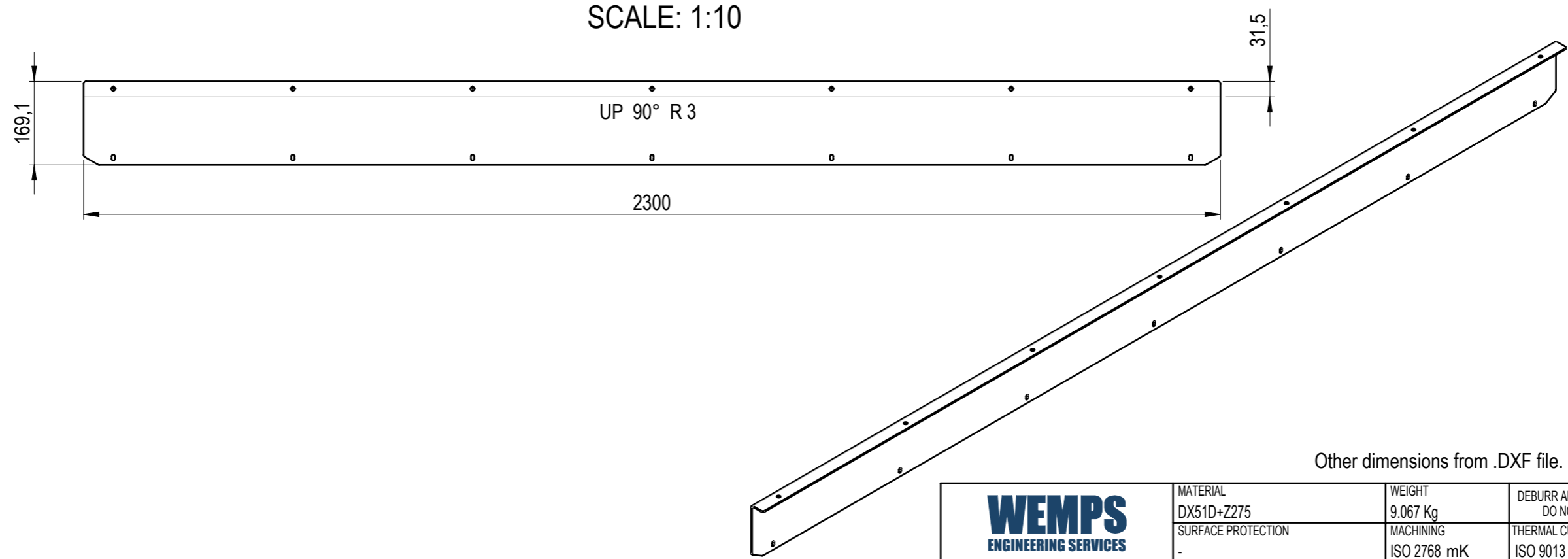


A-A
SCALE: 1 : 2



B
SCALE: 1 : 2

Flat Pattern view
SCALE: 1:10



SHEET METAL INFORMATION	
Length, mm	2300
Width, mm	169.1
Thickness, mm	3
Inside Bend Radius, mm	3
K-Factor	0.5
No. of Bends	1

Other dimensions from .DXF file.

	MATERIAL	DX51D+Z275	WEIGHT	9.067 Kg	DEBURR AND BREAK SHARP EDGES	DO NOT SCALE DRAWING	REVISION	DATE	25.06.2025
	SURFACE PROTECTION	-	MACHINING	ISO 2768 mK	THERMAL CUTTING	ISO 9013 441	WELDING	ISO 13920 BF	SCALE 1:5
NAME	SIGNATURE	PART NO.		105-30520-03				SHEET 1/1	
Designed by	D. Dislers	DESCRIPTION		Side fairing					
Drawn by	E. Kriviss								
Technical ref.									